

DLS SERIES Residential Lighting

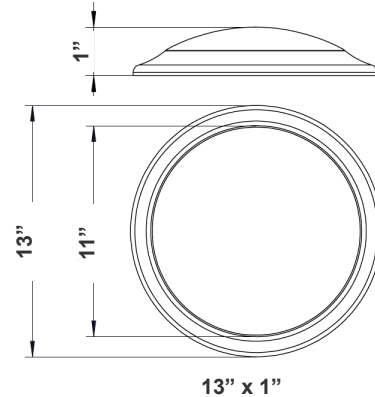
DLS12-MCT



Customer Name: _____

Project Name: _____

Note: _____ Type: _____



Disk lights have been designed to be a flexible lighting solution for retrofit and new construction applications, Ideal for closets, storage areas, attics, corridors, or general lighting solutions for residential and commercial applications.

Features

- Die-cast Aluminum. Powder-Coated
- Unique DOB (Driver On Board) LED Board Enclosed in Clear PC Cover for Better Wet Location Performance
- Closed Cell Neoprene Foam Gasket
- Multi CCT (Selectable Switch on LED Board under the Lens)

Technical Specifications

Electrical:

- Voltage: 120V AC
- Power Factor: >0.90
- Wattage: 30W
- Efficacy: 70 LPW

Mechanical:

- White Finish
- Die-cast Aluminum. Powder-Coated
- Gasket: Closed Cell Neoprene Foam Gasket
- Fits on 4"Octagonal (4O) or 3"Octagonal (3O) Electrical Boxes
- Recessed Mounting Kit Included for Recessed/Retrofit Installation
- Maximum Ambient Temperature: 104°F
- 5-Year Warranty

Lighting:

- Lens: White Translucent Acrylic
- LED: Unique DOB (Driver On Board) LED Board Enclosed in Clear PC Cover for Better Wet Location Performance
- Dimming: TRIAC Dimming (Using Standard TRIAC LED Dimmers)
- Total Lumens: 1800LM
- Color Temperatures: 3000K/ 4000K/ 5000K
- Multi CCT (Selectable Switch on LED Board Under the Lens)
- Color Rendering Index: CRI ≥ 90
- Rated life: 50,000 hrs

Applications:

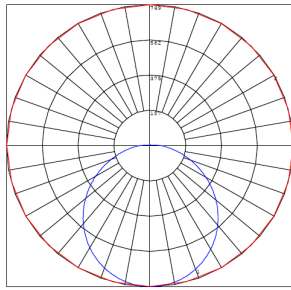
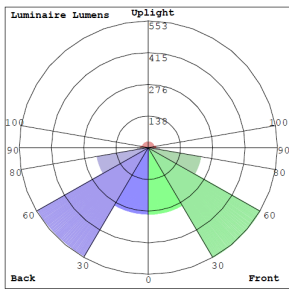
- Disk lights have been designed to be a flexible lighting solution for retrofit and new construction applications, Ideal for closets, storage areas, attics, corridors, or general lighting solutions for residential and commercial applications

Other Models:

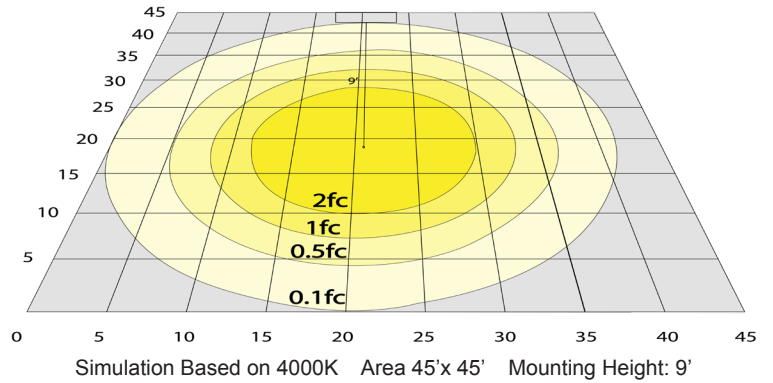
- 9W | 540LM | DLS4-MCT • 15W | 1000LM | DLS6-MCT • 20W | 1200LM | DLS8-MCT • 25W | 1500LM | DLS10-MCT



Photometrics: DLS-12-MCT



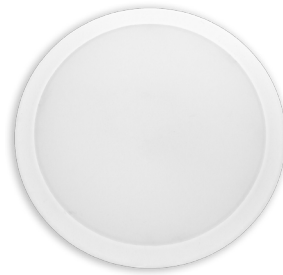
BUG Rating: B1-U2-G1



Other Views:



Side View



Front View



Back View

Performance Table: DLS12-MCT

MODEL NO.	Wattage	Voltage	Lumens	Color Temp.	BUG Rating	LPW
DLS12-MCT	30W	120V	1800LM	3000K/ 4000K/ 5000K	B1-U2-G1	60

Sample Ordering

Model	Color Temp.
DLS12	MCT

MOUNTING KIT:



Recessed Mounting Kit included

Other Model:



DLS12-MCT-PIR
with PIR Motion Sensor



DLS12-MCT-277V
277V Disk Light

